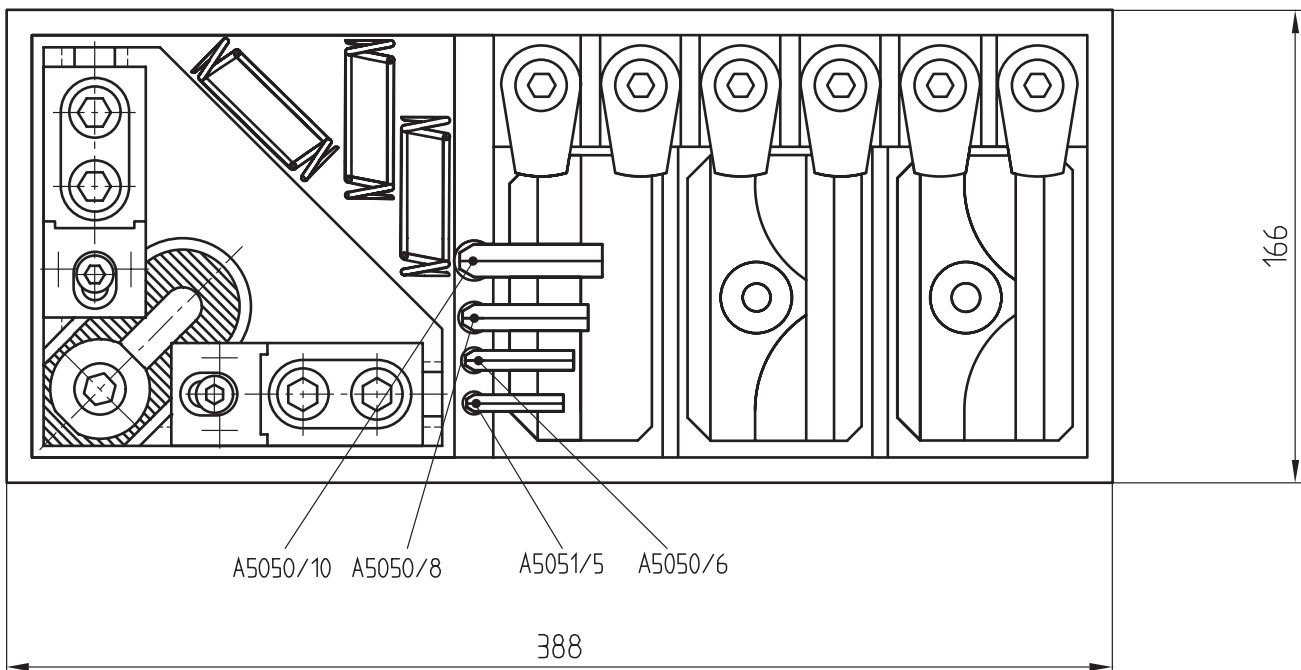
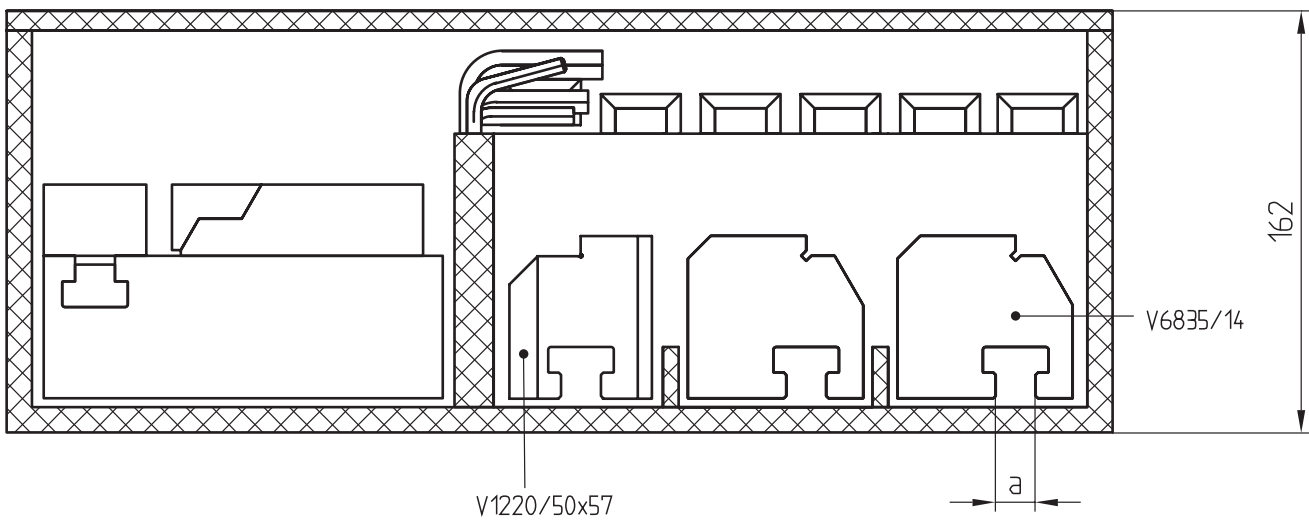
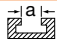


V6820/...



▶ Info



V1220/50x57	V6835/14	A5051/5	A5050/6	A5050/8	A5050/10		Nr./No.
1	2	1	1	1	1	14	V6820/14

This is trial version  
www.adultpdf.com